

PCX 46 App User Manual

Connect to your
home from
anywhere in the
world.



Software version >10
RINS1826-1

 **Pyronix**[®]
www.pyronix.com

Contents

Two Way Wireless High Security	3	Master Manager menu: Date and Time	16
User Friendly Keyfobs	4	Master Manager menu: Change Codes	17
User Automation Outputs	4	Master Manager menu: View Event Logs	20
Operating the PCX46 App Panel	5	Master Manager menu: Setup App Data	21
How to navigate through the menus/Button Operation	6	Master Manager menu: Setup App Data	22
Chime Feature:	7	Master Manager menu: SMS Phonebook	23
PA from keypad:	7	Master Manager menu: Walk Test	23
Fire Alarm from keypad:	7	Master Manager menu: Bell Test	23
Using the Keyfob - The Buttons:	8	Master Manager menu: Allow Engineer Menu	24
Arming your PCX46 App panel	9	Master Manager menu: Block Remote Arming	24
Disarming your PCX46 App panel	10	Master Manager menu: Block UDL	25
Arming / Disarming with the Tag Reader	11	Master Manager menu: System Sounds Demo	26
SMS Commands	12	Master Manager menu: Exit Master Manager menu	26
Master Manager menu options	14	Engineer Contacts / Installation Record Table	27
Entering the Master Manager menu	15	Input tables	28
Master Manager menu: Bypass Inputs	15	User Tables	29
Master Manager menu: Operate User Automation Outputs	15	Outputs Table	30

Two Way Wireless High Security

Thank you for choosing the PCX alarm system as protection for your property. It is designed to conform to the latest intruder standards in the industry.

There are many features that the PCX alarm system has, and these can be explained in detail by your alarm engineer.

Wireless peripherals may be used on the PCX alarm system; these include wireless sensors and wireless set/unset keyfobs. Please ask your alarm engineer for more details.

With a host of features and accessories, the PCX alarm system offers maximum flexibility and ensures that each PCX alarm system can be individually tailored to the required application.

Battery Monitoring/Saving

Advanced technology preserves the battery life of each wireless device.

The **PCX46 App** panel also informs you in advance of when a battery needs replacing, giving you enough time to change the battery in the specific device before it stops working. This key feature keeps your environment fully protected, unlike other conventional systems.

The HomeControl+ smartphone App can even be set to send you a notification of when a battery needs replacing.

High Security Encryption

128 bit high security wireless encryption protocol and intelligent wireless jamming detection.

SMS Text Notifications and Remote Control

The system will notify you via SMS text messages in real-time, for example: notification that your child has returned home from school safely; or notification of a leakage of water in your property etc.

User Friendly Keyfobs

The two-way wireless keyfob allows you to see the status of your **PCX46 App** Panel via three colour LEDs:

System arm: A RED LED will illuminate.

System disarm: A GREEN LED will illuminate.

System fault: An AMBER LED will illuminate (this will flash when the keyfob is unable to arm the system).

It is possible to allocate different functions to each keyfob, such as: arming or disarming different areas, activating outputs to control external devices (such as: gates), requesting the system status and activating PA (panic alarms).

Up to 32 wireless keyfobs can be added to your **PCX46 App** Panel. Each wireless keyfob has a unique ID, which can be reported to the ARC and HomeControl+ App. These are stored in the event log of the **PCX46 App** Panel individually. The keyfob also allows you to individually arm or disarm every area, giving you total control of your system.

NOTE: Keyfobs may only be used if the PCX-RIX32-WE is installed. Ask your engineer for more information.

User Automation Outputs

The **PCX46 App** Panel gives you the option to operate up to 30 devices (such as: gates, lights, sprinklers.), via your keypad or remotely via your keyfob or HomeControl+ App.

HomeControl+ App and SMS notifications

Your **PCX46 App** Panel will provide you with real-time push notifications on your phone or within the HomeControl+ App (See HomeControl+ App Setup Guide), such as: that your child has returned home from school, or a leakage of water in your property. You can also opt to receive these via SMS text messages.



Operating the PCX46 App Panel

Default Master Manager Code: 1234

Arming/Disarming Methods:

There are four different methods that can be used in arming or disarming your alarm: using the **PCX46 App** Panel keypad, using a proximity tag, a keyfob or the HomeControl+ App on your mobile (Android or iOS) device.

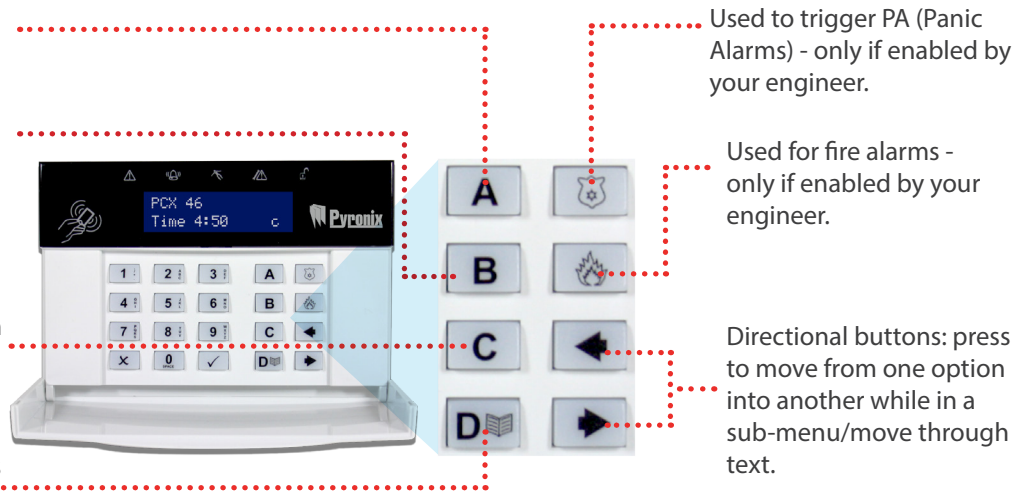
How to navigate through the menus/Button Operations

Press to quick exit menu/selects Area A.

Press to move backwards to the previous main menu item/selects Area B.

Press to move back to the previous option in a sub-menu/ displays additional information in the log/selects Area C.

Scrolls forwards in the log/selects Area D



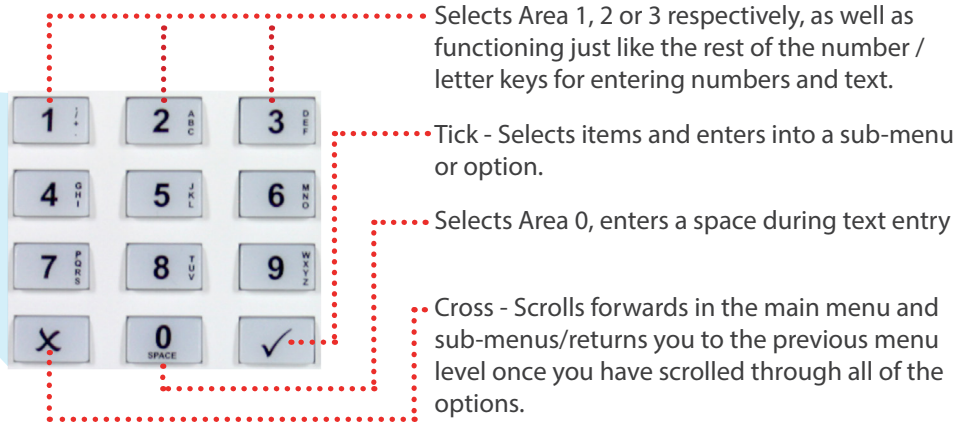
How to navigate through the menus/Button Operation

The Master Manager menu allows you to setup specific features by asking you a series of setup questions: Main menus are in capital letters and finish with a question mark, e.g. 'LEARN USER CODES KEYFOBS & TAGS?'.
Sub-menus are in lower case letters and finish with a question mark, e.g. 'User Codes/Tags/Learn Keyfobs?'.
Programmable options are in lower case letters and DO NOT finish with a question mark, but instead: 'Yes/No', or other options, such as: 'User / Manager'.

Sub-menus are in lower case letters and finish with a question mark, e.g. 'User Codes/Tags/Learn Keyfobs?'.
Programmable options are in lower case letters and DO NOT finish with a question mark, but instead: 'Yes/No', or other options, such as: 'User / Manager'.

Programmable options are in lower case letters and DO NOT finish with a question mark, but instead: 'Yes/No', or other options, such as: 'User / Manager'.

To navigate through the menu system, simply answer the questions in the main and sub-menus. For example, if the question is: 'LEARN USER CODES KEYFOBS & TAGS?', pressing will take you into the sub-menu 'User Codes/Tags/Learn Keyfobs?', and pressing again will then take you into the programmable options of this sub-menu. If at this point you press , you will be taken out of the individual option. Continue to press and you will navigate through the sub-menus and eventually return to the main menu.



Chime Feature:

This feature can be setup by your installer and is most commonly enabled for doors using the magnetic contact. When activated you will hear a 'chime' sound to alert you whenever the door is opened.

To disable the chime on the **PCX46 App** Panel or keypad, simply close all doors that chime and when 'c' is displayed, press the **[C]** key. Press the **[C]** key again to re-enable the chime.



PA from keypad:

If you require a PA (Panic Alarm), press and hold both the **[1]** and **[7]** keys or hold **[7]** for 3 seconds and a 'PA' alarm will be generated.

Note: The PA feature must be enabled by your engineer (silent or audible alarm options available).



Fire Alarm from keypad:

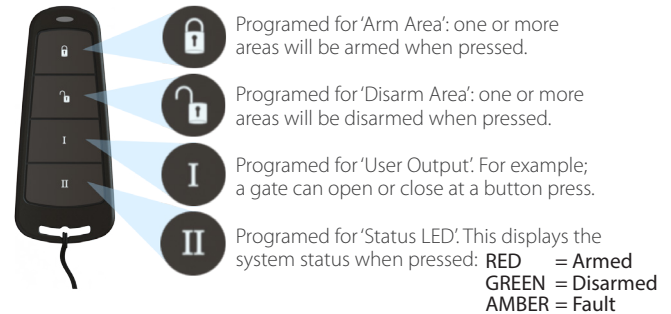
If you want to add a fire alarm, press and hold **[7]** for three seconds and a fire alarm will be generated.

Note: The fire alarm feature must be enabled by your engineer.



Using the Keyfob - The Buttons:

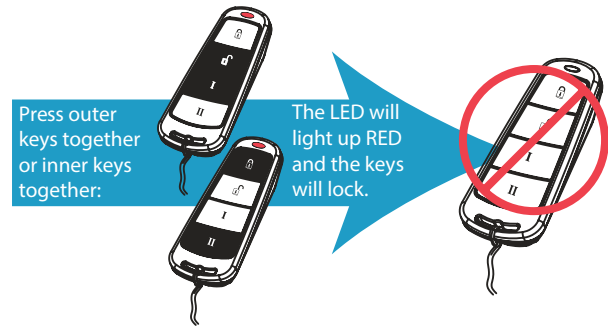
The wireless keyfob has four buttons that can be programmed to specific functions: no action, show status, arm area, disarm area, latch output, timed output and PA alarm activation. This can be customised to operate as desired (programed in the function 'Change Codes'). The keyfob diagram on the right shows how each button can be programmed:



Locking the keyfob:

All four buttons on the keyfob can be 'locked' to prevent you from accidentally pressing them. You can do this by pressing the two central keys together (III & I) or the two outer keys together (I & II).

As indicated on the diagram to the right. A RED LED will flash to indicate that the fob has been locked. To unlock the keyfob press the same two keys together again and a GREEN LED will flash to indicate that it is now unlocked. Please note that locking the keyfob disables all LED indications.



Quick Arming:

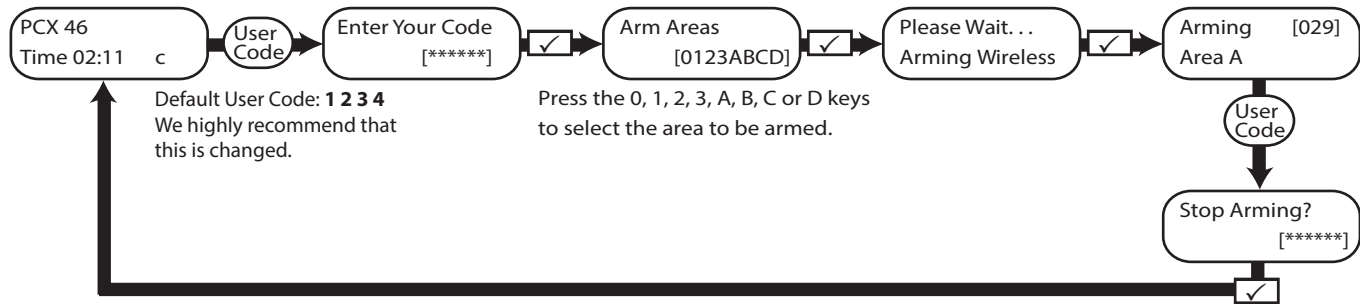
If you have chosen to program one of the keyfob buttons as 'Arm Area', you can then opt to 'quick arm' that area. When you press the button to arm the area, the **PCX46 App** Panel will begin to count down your exit time (depending on what exit mode has been programmed by your engineer). Once this 'arming stage' begins, press the same button on the keyfob again and the system will arm immediately.

The disarm LED on the **PCX46 App** Panel will turn off and a beep will sound to signal that the system has been armed. The RED LED on the keyfob will illuminate for a short time to confirm this.

Arming your PCX46 App panel

There are four ways that you can arm your PCX46 App System.

1 Enter your user code and deselect any areas that are not to be armed, then press the button as shown below:



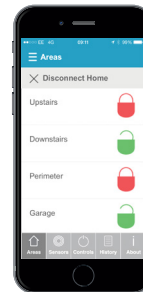
2. Present your tag and deselect any areas that are not to be armed, then press the button (presenting a tag takes you straight to the 'Arm Areas' screen in the diagram above)


NOTE: Options 1 & 2 only function if 'Arm Area Choice' is selected as 'Yes' in the 'Learn User Codes/Tags/Keyfobs?' menu. If selected as 'No', then all areas allocated to your user code will arm.



3. Open the HomeControl+ App on your mobile device and sign into your system with your user code and password details. Then touch the green (disarmed) padlock icons to turn them to red padlock icons and arm those areas.

NOTE: Please see the App guide for further details or contact your installer.



4. Press the arm () button on the keyfob and then release, the keyfob will arm the areas it has been assigned to by your installer.

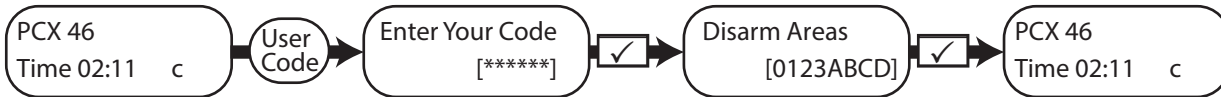
NOTE: The keyfob buttons can be programmed in the Master Manager menu 'Learn User Codes/Tags/Keyfobs'



Disarming your PCX46 App panel

There are four ways that you can disarm your PCX46 App System.

1. Enter your user code and deselect any areas that are to be diaarmed, then press the button as shown below:



Default User Code: 1 2 3 4

We highly recommend that this is changed.

Press the 0, 1, 2, 3, A, B, C or D keys to select the area to be disarmed

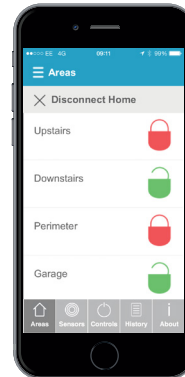
2. Present your tag and deselect any areas that are not to be disarmed, then press the button (presenting a tag takes you straight to the 'Disarm Areas' screen in the diagram above)


NOTE: Options 1 & 2 only function if 'Arm Area Choice' is selected as 'Yes' in the 'Learn User Codes/Tags/Keyfobs?' menu. If selected as 'No', then all areas allocated to your user code will disarm.



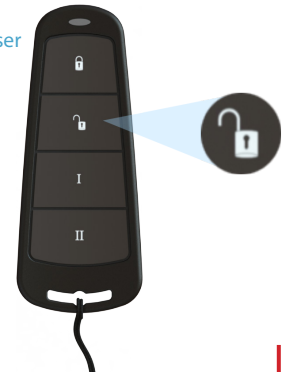
3. Open the HomeControl+ App on your mobile device and sign into your system with your user code and password details. Then touch the red (armed) padlock icons to turn them to green padlock icons and disarm those areas.

NOTE: Please see the App guide for further details or contact your installer.



4. Press the disarm () button on the keyfob and then release, the keyfob will disarm the areas it has been assigned to by your installer.

NOTE: The keyfob buttons can be programmed in the Master Manager menu 'Learn User Codes/Tags/Keyfobs'



Arming / Disarming with the Tag Reader

It is possible to arm and disarm your **PCX46 App** system using a tag wherever a reader is installed.

Arming (See diagram to the right):

- i. Present a valid tag to the reader.
- ii. The GREEN LED will illuminate on the external reader (or the disarm LED on the internal reader).
- iii. Remove the tag.
- iv. The door will unlock.
- v. Present the same tag within 10 seconds and the system will arm and the door will lock displaying a RED LED.

Disarming:

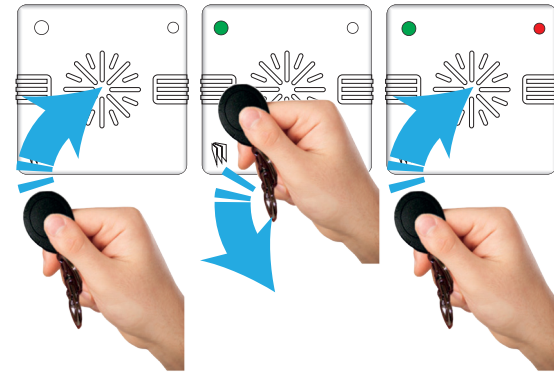
- i. Present a valid tag to the reader and then remove it.
- ii. The status will be shown (the alarm symbol will illuminate to indicate that the system is armed on the internal reader, or the RED LED on the external reader).
- iii. Present the same tag again within 10 seconds and the system will disarm and the door will unlock.

Access Control/Entry Control:

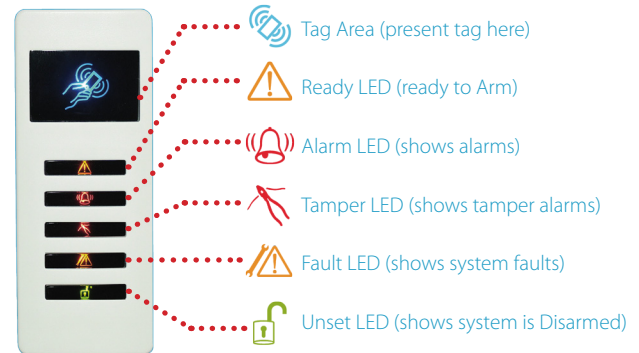
The readers can also be used for opening doors only, without the ability to arm or disarm. Please contact your installer for more information on this feature.

NOTE: If the **PCX46 App** system fails to arm, a fault will display on the internal tag reader or a 'failed to arm' sound will activate on the external tag reader buzzer.

External Tag Reader LEDs (arming shown)



Internal Tag Reader LEDs



SMS Commands

If you have the GPRS version of the **PCX46 App** panel you can send SMS text commands via your mobile phone.

NOTE: All SMS commands must start with a valid user code and are not case sensitive unless the utilised outputs are activated.

NOTE: If an SMS command is not recognised, the **PCX46 App** will send an 'incorrect command' message back to you.

Arming via SMS text command

Example SMS command send: 123456 Arm 0 123456 Arm 0123ABCD	Description: 123456 = User Code. Arm 0 = Will arm in Area 0 123456 = User Code. Arm 0123ABCD = Will arm in Areas 0123ABCD.	Example SMS command response: Final Arm; Area 0 Final Arm; Area 0123ABCD	NOTE: If no areas are specified then all areas will arm (default). In 'One Area' Mode, the default will be Area 0.
---	---	---	---

Disarming via SMS text command

Example SMS command send: 123456 Disarm 0 123456 Disarm 0123ABCD	Description: 123456 = User Code. Disarm 0 = Will disarm in Area 0 123456 = User Code. Disarm 0123ABCD = Will disarm in Areas 0123ABCD.	Example SMS command response: Disarm; Area 0 Disarm; Area 0123ABCD	NOTE: If no areas are specified then all areas will disarm (default). In 'One Area' Mode, the default will be Area 0.
---	---	---	--

Arming with Inputs bypassed via SMS text command

Example SMS command send: 123456 Arm 0 Bypass 4 123456 Arm 0 Bypass Kitchen	Description: 123456 = User Code. Arm 0 Bypass 4 = Arms Area 0 and will bypass Input 4 123456 = User Code. Arm 0 Bypass Kitchen = Arms Area 0 and will bypass the Input named Kitchen.	Example SMS command response: Input Bypass; Area 0 Input 04 Force Arm: Area 0 Input Bypass; Area 0 Kitchen Force Arm: Area 0
--	--	---

Bypassing Inputs via SMS text command

Example SMS command send: 123456 Bypass 6 123456 Bypass Garage	Description: 123456 = User Code. Bypass 6 = In the next arming procedure, Input 6 will be bypassed. 123456 = User Code. Bypass Garage = In the next arming procedure, and will bypass the Input named Garage.	Example SMS command response: Input Bypass; Area 0 Input 06 Input Bypass; Area 0 Garage	NOTE: Input names have to be one word and spelled exactly as written in the panel e.g. Garage Door is not acceptable. It has to be written as Garage-Door in the panel and the respective command will be Garage-Door.
---	--	--	---

Checking the system status via SMS text command

<p>Example SMS command send: 123456 Status</p>	<p>Description: 123456 = User Code. Status</p>	<p>Example SMS command response: Area 0 Disarmed No Faults Area 1 Disarmed No Faults Area 2 Disarmed No Faults Area 3 Disarmed No Faults (etc.)</p>
---	---	--

Operating the User Automation Outputs via SMS text commands

<p>Example SMS command send: 123456 Output 1 On</p> <p>123456 Output Garage-Door On</p> <p>123456 Output Garage-Door Off</p>	<p>Description: 123456 = User Code. User Output 1 turns on. 123456 = User Code output Garage-Door on = Turns output named as Garage-Door on. 123456 = User Code output Garage-Door off = Turns output named as Garage-Door off.</p>	<p>Example SMS command response:</p> <p>OUTPUT 1 ON OUTPUT Garage-Door ON OUTPUT Garage-Door OFF</p>	<p>NOTE: Output names have to be one word and spelled exactly as written in the panel e.g. Garage Door is not acceptable. It has to be written as Garage-Door in the panel and the respective command will be Garage-Door.</p> <p>NOTE: The user automation outputs can also be activated via the keypad or the keyfob.</p>
---	--	---	---

Checking the User Automation Outputs status via SMS text commands

<p>Example SMS command send: 123456 Output 1 Status</p> <p>123456 Output Garage-Door Status</p>	<p>Description: 123456 = User Code. User Output 1 status check.</p> <p>123456 = User Code. Output Garage-Door status check.</p>	<p>Example SMS command response: OUTPUT 1 ON or OUPUT 1 OFF</p> <p>OUTPUT Garage-Door ON or OUTPUT Garage-Door OFF</p>	<p>NOTE: Output names have to be one word and spelled exactly as written in the panel e.g. Garage Door is not acceptable. It has to be written as Garage-Door in the panel and the respective command will be Garage-Door.</p>
--	--	---	---

Changing a Mobile Number via SMS text commands

<p>Example SMS command send: 123456 Change 07777888999 07878888999</p> <p><i>(enter 1 space between numbers)</i></p>	<p>Description: 123456 = User Code. Changes number 07777888999 to number 07878888999</p>	<p>Example SMS command response: CHANGE 07878888999</p>	<p>NOTE: Use the appropriate international dialling code (e.g. +44) when necessary (i.e. for foreign SIM cards). For example if you wanted to message a foreign SIM card at your holiday home abroad.</p>
---	---	--	--

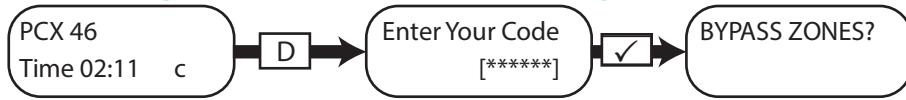
Master Manager menu options

Bypass Inputs	Disables any sensor (Input) on the system for the current Arm period. This feature also disables tamper alarms. NOTE: Inputs programmed as Entry Delay or PA cannot be bypassed.
Operate User Outputs	Activates/deactivates user automation outputs that are used to remotely activate devices, such as electronic gates & lights.
Date & Time	Programs the date and time and enables the summer-time automatic adjustment.
Learn User Codes Keyfobs & Tags	Programs the user codes, tags and learns keyfobs to the PCX46 App panel.
Review Log	The 'View Event Logs' function is used to view all operational information of the alarm system, such as arming/disarming information, access control and alarm activations etc.
Setup App	To use the HomeControl+ App (see App Setup Guide or contact your installer) this function must be enabled.
SMS Phonebook	If SMS texting is enabled, there will be up to 10 mobile numbers that can be programmed to send SMS alarms. Please discuss this feature with your installer if required.
Walk Test	The 'Walk Test' function allows the testing of all programmed Inputs on the alarm system.
Bell Test	This function is used to test the external siren (wired and wireless) and strobe.
Allow Engineer Menu	If this function is enabled, the engineer will require authorisation from you before they can access the engineer menu.
Block Remote Arming	Blocks any attempt at arming the system remotely via the upload/download software functionality.
Block UDL	Blocks any attempt at dialling into the system remotely via the upload/download software functionality.
System Sounds Demo	This function demonstrates the sounds of the PCX46 App
Press A to Exit & Save Man Menu	Exits the Master Manager menu.

NOTE 1: Pressing the A key will exit the master manager menu at any main menu option above.

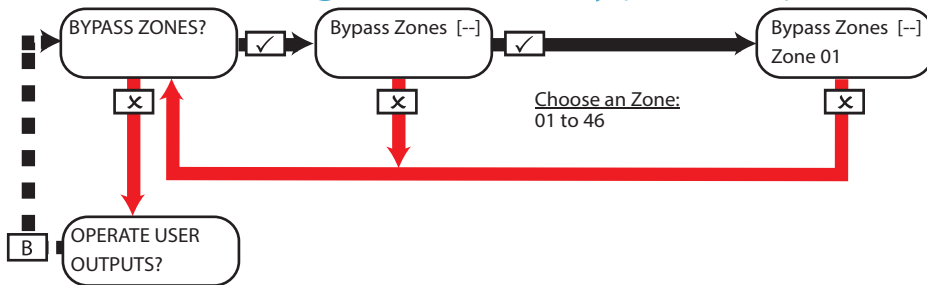
NOTE 2: Make sure you change the default master manager code.

Entering the Master Manager menu

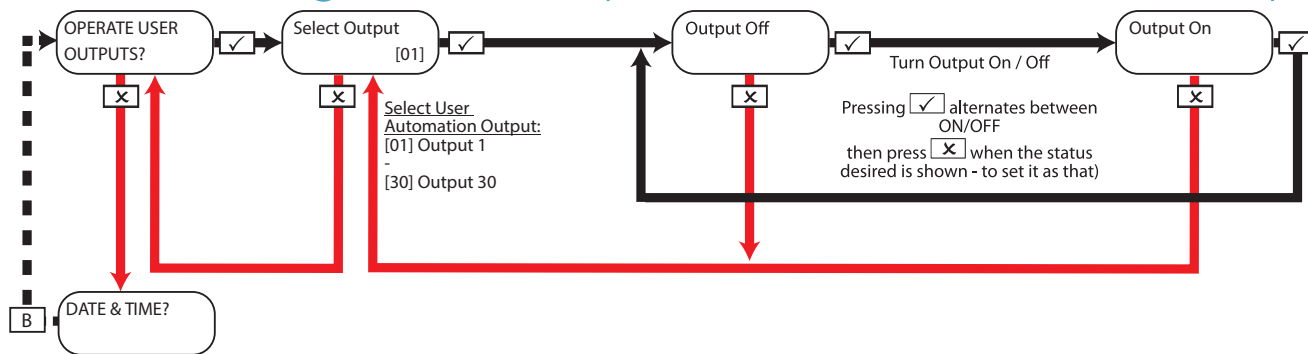


Default Master User Code: **1234**
We recommend that this is changed

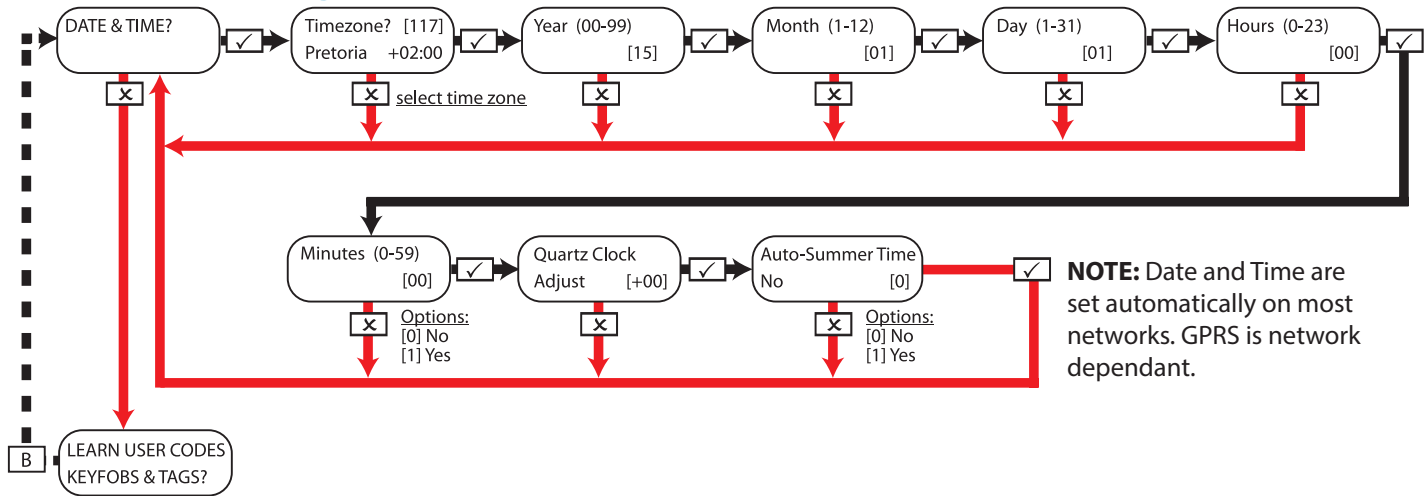
Master Manager menu: Bypass Inputs



Master Manager menu: Operate User Automation Outputs



Master Manager menu: Date and Time



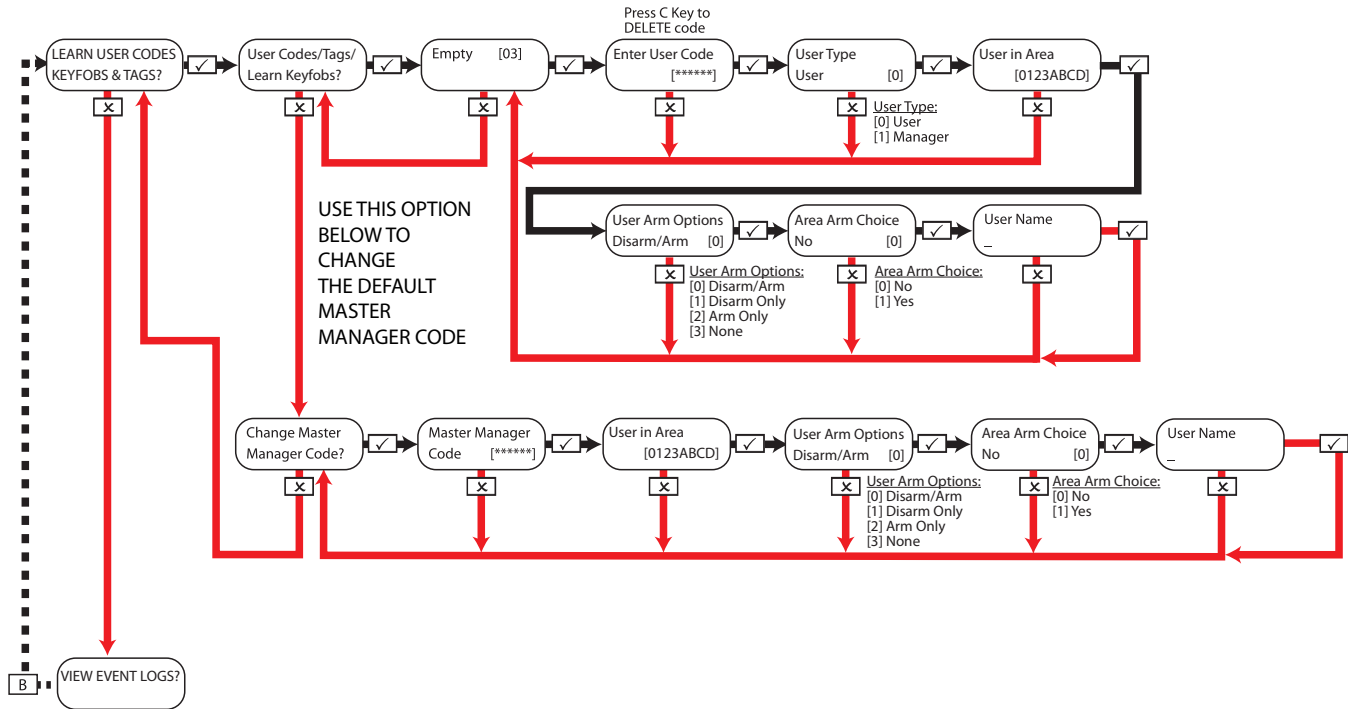
NOTE: Date and Time are set automatically on most networks. GPRS is network dependant.

NOTE 1 - Quartz Clock Adjust: If the clock is losing time, this function is used to compensate for the minutes being lost and therefore making the control panel show the true time. The adjustments are programmed in minutes, so for example if the time gains 2 minutes, select -02 on this option. If the time loses 4 minutes, select +04 on this option etc.

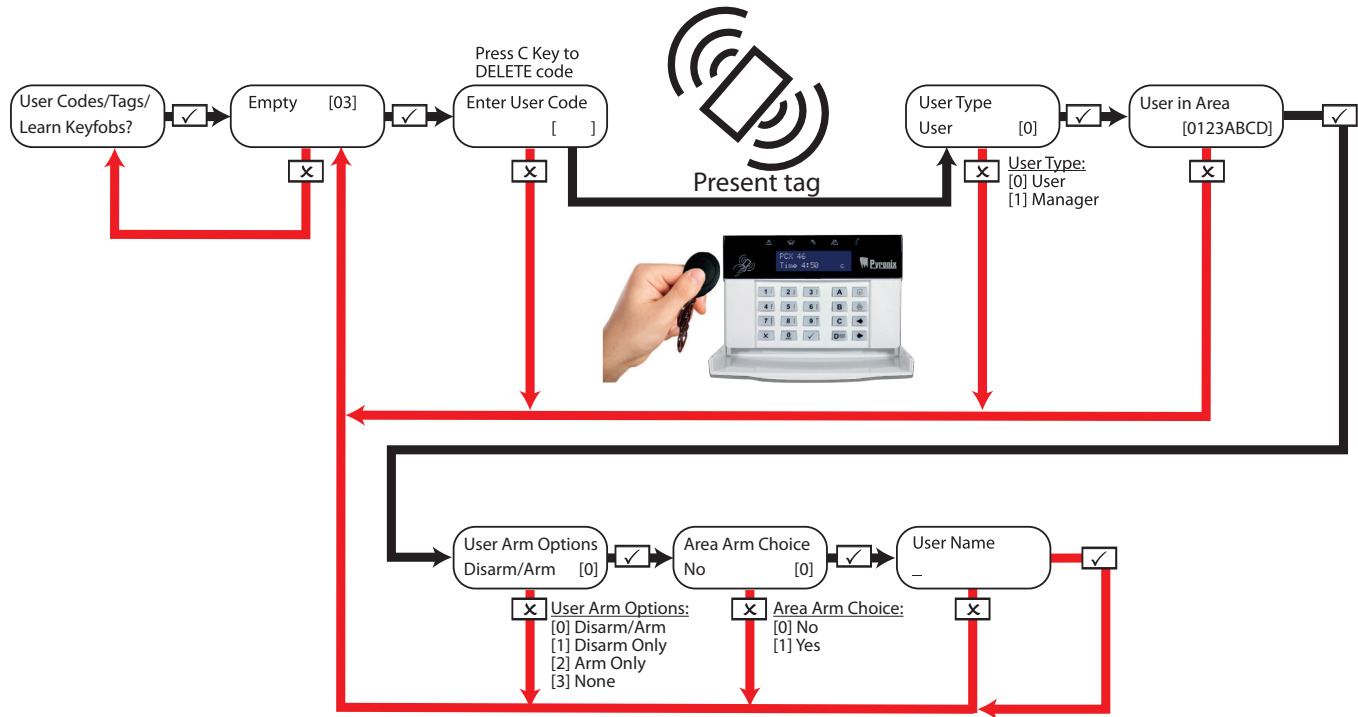
There is an option to select between having the clock taken from the mains or software - please ask your engineer about this function if you are unsure. NOTE: This function will only work if 'Quartz Clock' is enabled.

Master Manager menu: Change Codes

Change Codes: Configure User Codes



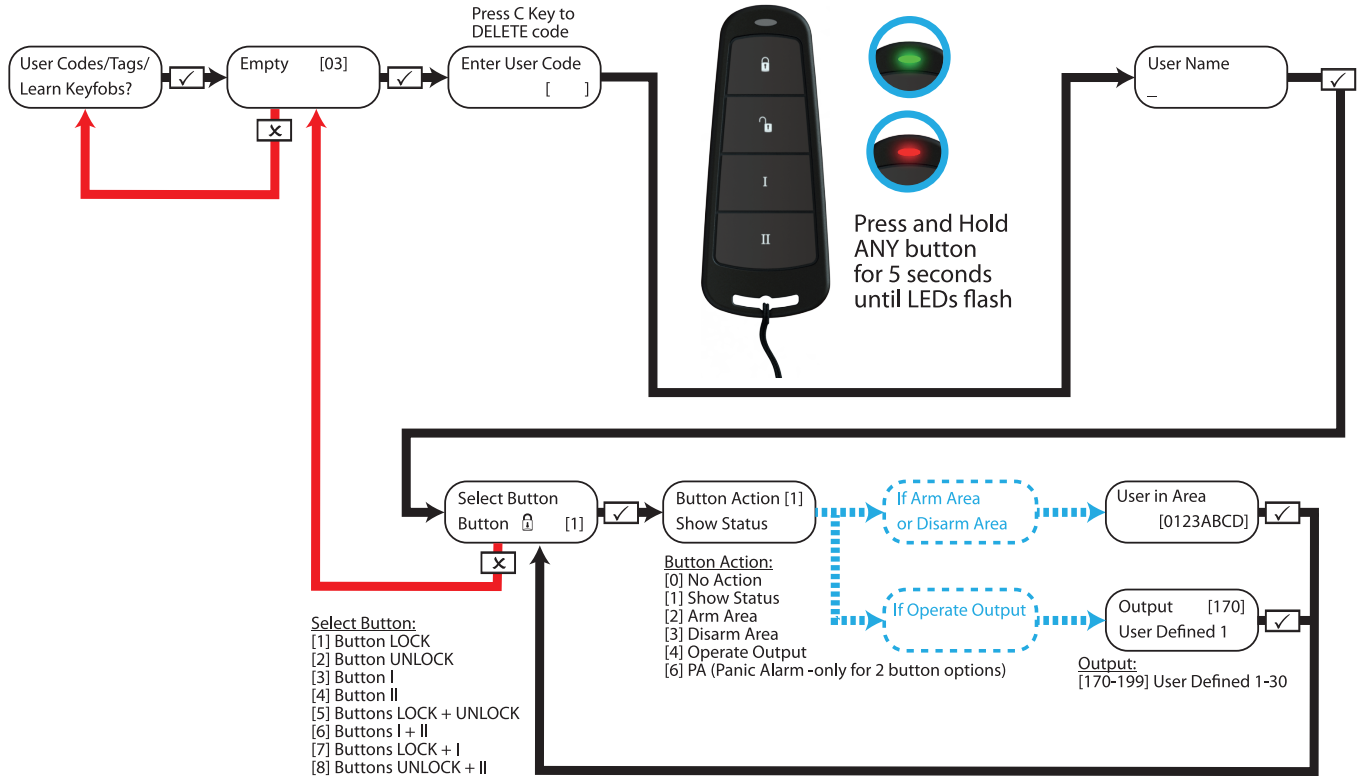
Change Codes: Configure Proximity Tags



Arm Area Choice:

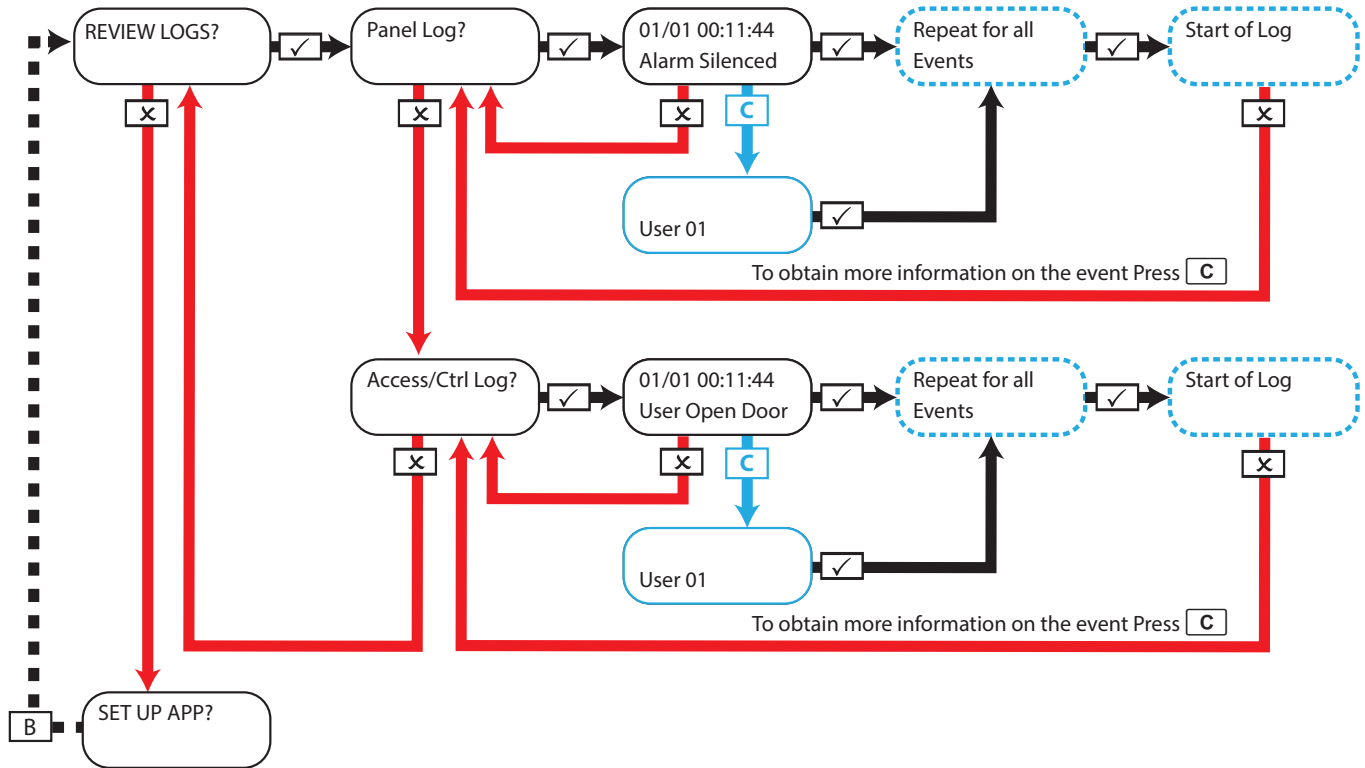
If selected as 'Yes' you will be able to choose the area you wish to arm after you have entered your user code or presented a valid tag. If selected as 'No', the **PCX46 App** panel will automatically arm all areas the panel/code is assigned to.

Change Codes: Learn / Configure Keyfobs



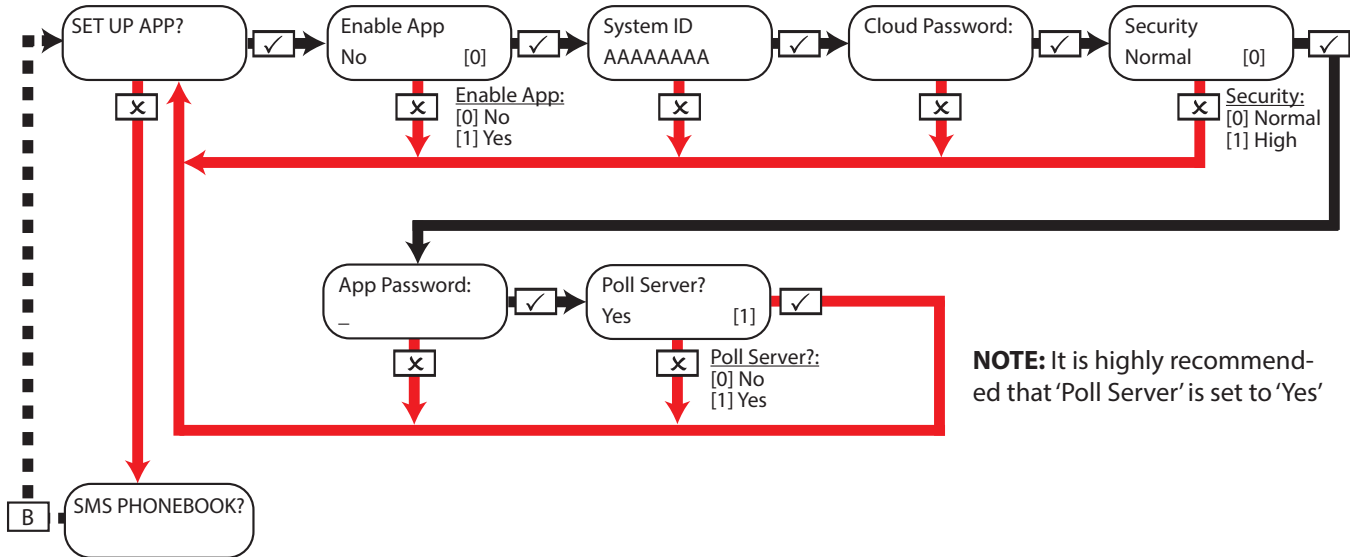
NOTE: Keyfobs can only be learnt to the **PCX46 App** control panel if a PCX-RIX32-WE is installed (Enforcer wireless expander)

Master Manager menu: View Event Logs



Master Manager menu: Setup App Data

Security Level: Normal



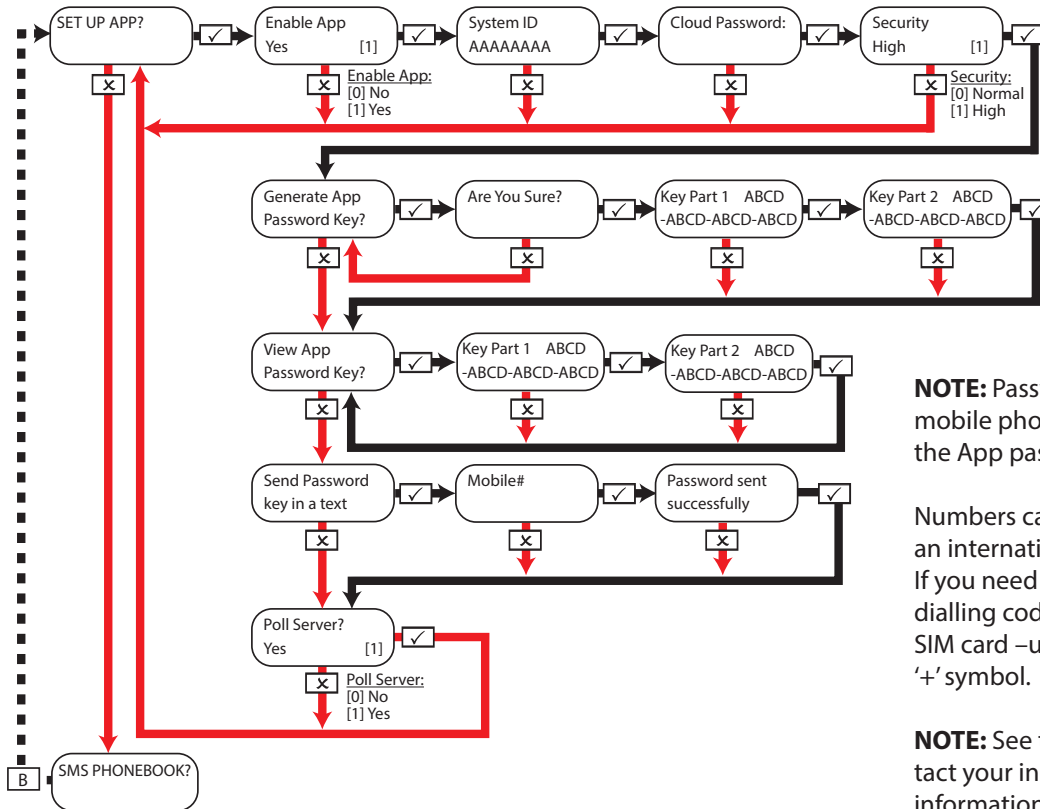
NOTE: It is highly recommended that 'Poll Server' is set to 'Yes'

NOTE: When creating passwords, please ensure that you use a variety of upper case, lower case, numbers and symbols -to establish the best security possible.

NOTE: See the App Setup guide or contact your installer for more information on how to setup the App.

Master Manager menu: Setup App Data

Security Level: High

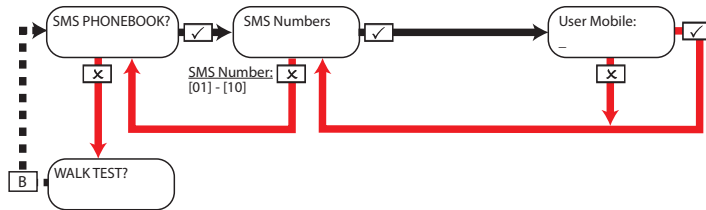


NOTE: Password key to be sent to your mobile phone so that ONLY YOU know the App password.

Numbers can be entered with or without an international dialling code (e.g. +44). If you need to enter an international dialling code to send the key to a foreign SIM card –use the **A** key to enter the '+' symbol.

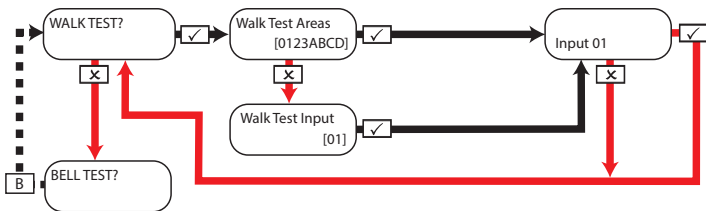
NOTE: See the App Setup guide or contact your installer for more information on how to setup the App.

Master Manager menu: SMS Phonebook



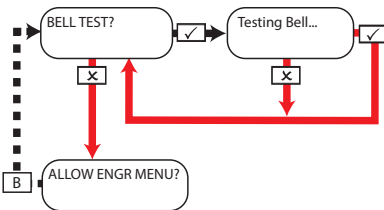
NOTE: Mobile numbers can be entered with or without an international dialling code (e.g. +44). If you need to enter an international dialling code to send the key to a foreign SIM card –use the **A** key to enter the '+' symbol.

Master Manager menu: Walk Test

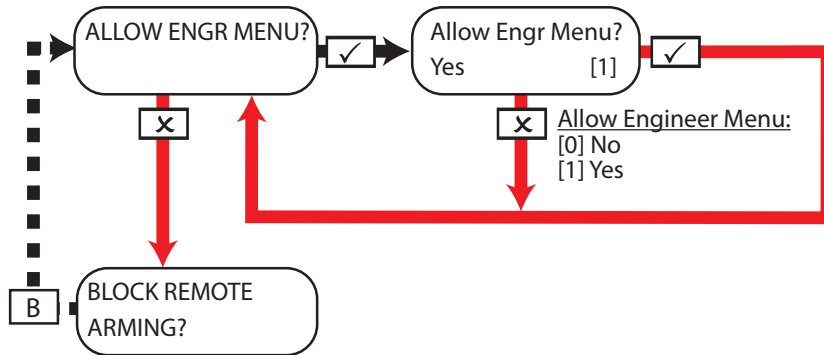


NOTE: When walk testing areas - walk around to trigger all of the Inputs in the selected areas until the panel displays 'Walk Test Inputs Completed'. When using the 'walk test Input' option to choose a specific Input to test - the keypad will make an audible 'beep' each time the Input is triggered.

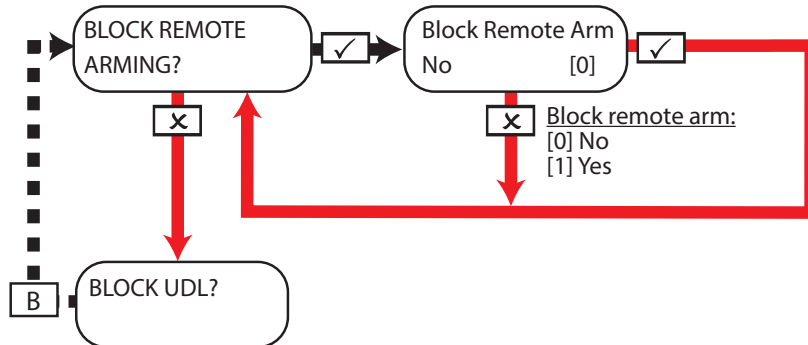
Master Manager menu: Bell Test



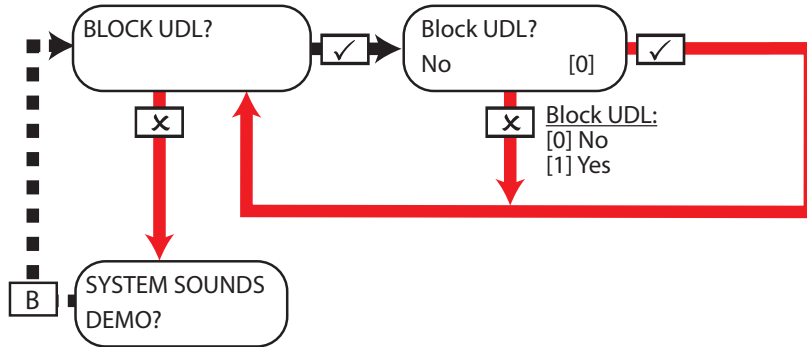
Master Manager menu: Allow Engineer Menu



Master Manager menu: Block Remote Arming

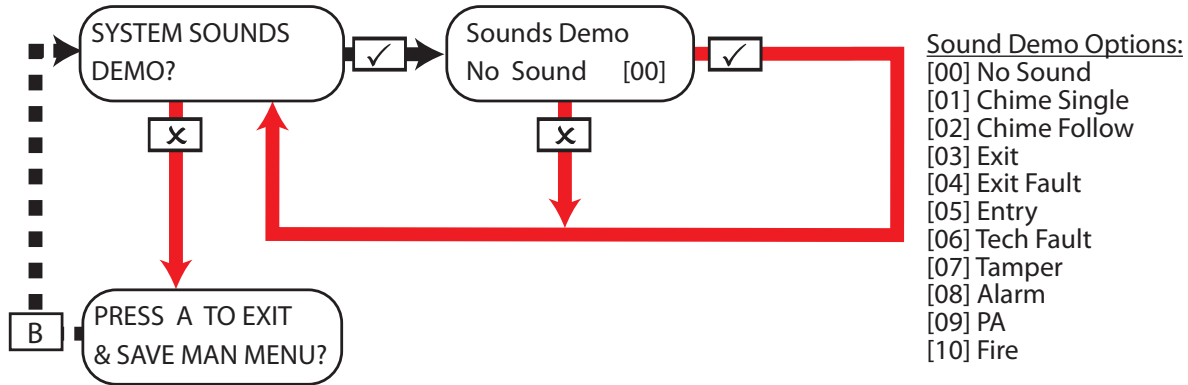


Master Manager menu: Block UDL

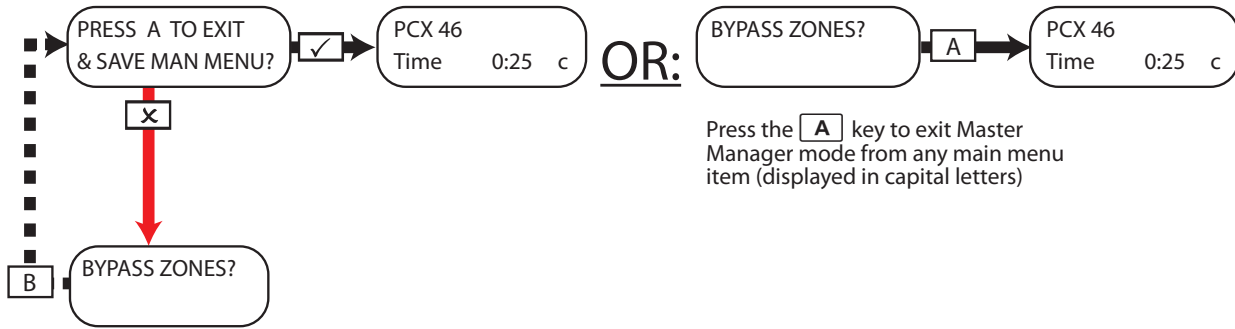


This function will block any attempt made to arm or disarm via the UDL software if enabled.

Master Manager menu: System Sounds Demo



Master Manager menu: Exit Master Manager menu



Engineer Contacts / Installation Record Table

Alarm Company:	
Date of Installation:	
Site Reference:	
Engineer Name:	
Engineer Contact Number:	
Installed to Grade 2:	Yes / No
Environmental Class:	II
Other Comments:	

Input tables

Input	Input Name	Input Areas	Description	Input	Input Name	Input Areas	Description
1 (wired)				33 (RIX Address 3)			
2 (wired)				34 (RIX Address 3)			
3 (wired)				35 (RIX Address 3)			
4 (wired)				36 (RIX Address 3)			
5 (wired)				37 (RIX Address 3)			
6 (wired)				38 (RIX Address 3)			
7 (wired)				39 (RIX Address 3)			
8 (wired)				40 (RIX Address 3)			
9 (RIX Address 0)				41 (Keypad Address 0)			
10 (RIX Address 0)				42 (Keypad Address 0)			
11 (RIX Address 0)				43 (Keypad Address 1)			
12 (RIX Address 0)				44 (Keypad Address 1)			
13 (RIX Address 0)				45 (Keypad Address 2)			
14 (RIX Address 0)				46 (Keypad Address 2)			
15 (RIX Address 0)							
16 (RIX Address 0)							
17 (RIX Address 1)							
18 (RIX Address 1)							
19 (RIX Address 1)							
20 (RIX Address 1)							
21 (RIX Address 1)							
22 (RIX Address 1)							
23 (RIX Address 1)							
24 (RIX Address 1)							
25 (RIX Address 2)							
26 (RIX Address 2)							
27 (RIX Address 2)							
28 (RIX Address 2)							
29 (RIX Address 2)							
30 (RIX Address 2)							
31 (RIX Address 2)							
32 (RIX Address 2)							

User Tables

User	Name	Code/Tag/Fob	User	Name	Code/Tag/Fob	User	Name	Code/Tag/Fob
1			35			69		
2			36			70		
3			37			71		
4			38			72		
5			39			73		
6			40			74		
7			41			75		
8			42			76		
9			43			77		
10			44			78		
11			45			79		
12			46			80		
13			47			81		
14			48			82		
15			49			83		
16			50			84		
17			51			85		
18			52			86		
19			53			87		
20			54			88		
21			55			89		
22			56			90		
23			57			91		
24			58			92		
25			59			93		
26			60			94		
27			61			95		
28			62			96		
29			63			97		
30			64			98		
31			65			99		
32			66			100		
33			67					
34			68					

Outputs Table

Wired Outputs	Latched / Timed	Type	Action
PGM (Onboard)			
STRB (Onboard)			
BELL (Onboard)			
XPGM1 (Input 7)			
XPGM1 (Input 8)			
PGM1 (ROX Address 0)			
PGM2 (ROX Address 0)			
PGM3 (ROX Address 0)			
PGM4 (ROX Address 0)			
PGM5 (ROX Address 0)			
PGM6 (ROX Address 0)			
PGM7 (ROX Address 0)			
PGM8 (ROX Address 0)			
PGM9 (ROX Address 0)			
PGM10 (ROX Address 0)			
PGM11 (ROX Address 0)			
PGM12 (ROX Address 0)			
PGM13 (ROX Address 0)			
PGM14 (ROX Address 0)			
PGM15 (ROX Address 0)			
PGM16 (ROX Address 0)			
PGM1 (ROX Address 1)			
PGM2 (ROX Address 1)			
PGM3 (ROX Address 1)			
PGM4 (ROX Address 1)			
PGM5 (ROX Address 1)			
PGM6 (ROX Address 1)			
PGM7 (ROX Address 1)			
PGM8 (ROX Address 1)			
PGM9 (ROX Address 1)			
PGM10 (ROX Address 1)			

Outputs Table (continued)

Wired Outputs	Latched / Timed	Type	Action
PGM11 (ROX Address 1)			
PGM12 (ROX Address 1)			
PGM13 (ROX Address 1)			
PGM14 (ROX Address 1)			
PGM15 (ROX Address 1)			
PGM16 (ROX Address 1)			
PGM1 (RIX Address 0)			
PGM2 (RIX Address 0)			
PGM3 (RIX Address 0)			
PGM4 (RIX Address 0)			
PGM1 (RIX Address 1)			
PGM2 (RIX Address 1)			
PGM3 (RIX Address 1)			
PGM4 (RIX Address 1)			
PGM1 (RIX Address 2)			
PGM2 (RIX Address 2)			
PGM3 (RIX Address 2)			
PGM4 (RIX Address 2)			
PGM1 (RIX Address 3)			
PGM2 (RIX Address 3)			
PGM3 (RIX Address 3)			
PGM4 (RIX Address 3)			
ATE PGM 1			
ATE PGM 2			
ATE PGM 3			
ATE PGM 4			
ATE PGM 5			
ATE PGM 6			
ATE PGM 7			
ATE PGM 8			
ATE PGM 9			
ATE PGM 10			



EN50131-3:2009
EN50131-1:2008+A1:2009
Security Grade 2
Environmental Class II



EN50131-3:2009
EN50131-1:2008+A1:2009
Security Grade 3
Environmental Class II



Secure Holdings
Pyronix House
Braithwell Way
Hellaby
Rotherham
S66 8QY

www.pyronix.com



For electrical products sold within the European Community. At the end of the electrical products useful life, it should not be disposed of with household waste. Please recycle where facilities exist. Check with your Local Authority or retailer for recycling advice in your country. When disposing of the product and accessories, the batteries must be removed and disposed of separately in accordance with the local regulations.

